



SAFE & VAULT MANUFACTURERS

DRUG SAFES

DS1 | DS2 | DS3 | DS4 | DS5 | DS900



MODEL DS5

BODY: All 10mm steel construction, with retractable locking boltwork.

MOUNTING: All models have 4 only 16mm bolt holes in base and 4 only 16mm bolt holes in back.

SHELVING: All models have fully adjustable shelving.

HINGING: Available in standard right hand, or optional left hand hinging.

FINISH: Finished in silver grey.

LOCKING OPTIONS:

- Key locking
- Digital locking
- Dial combination locking
- CS-KO-RS (Card swipe access with locking status switch, key override, Reed Switch, wire exit holes in top rear of safe, excludes card reader and door loop).

Model	Height mm	Width mm	Depth mm	Weight
DS1	457	305	230	54kg
DS2	610	457	230	89kg
DS3	1220	762	400	328kg
DS4	1525	762	400	392kg
DS5	1850	850	600	581kg
DS900	900	600	300	175kg



MODEL DS4



MODEL DS3



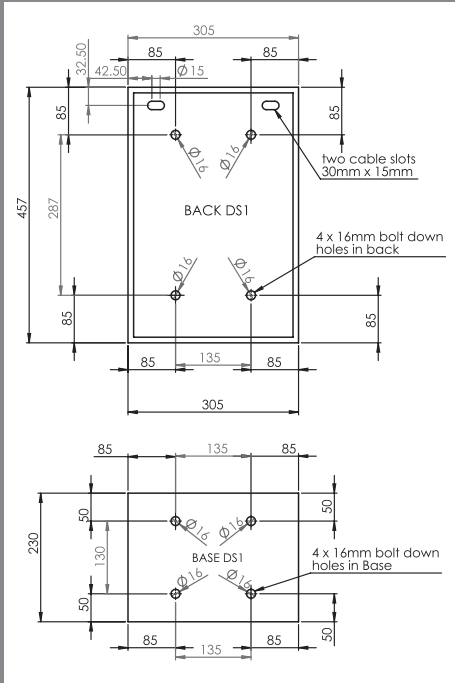
MODEL DS2



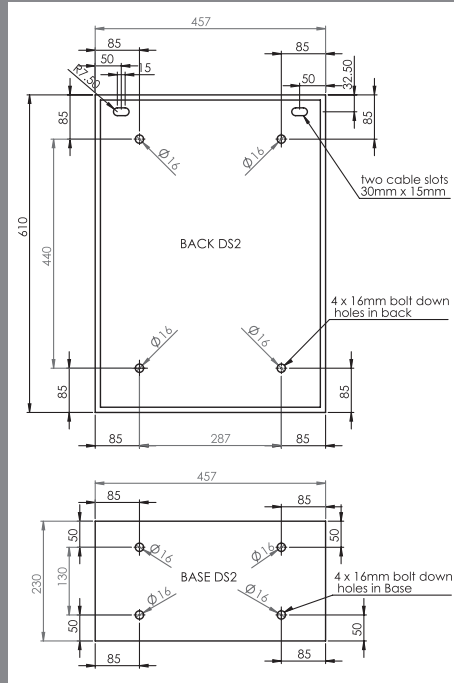
MODEL DS1



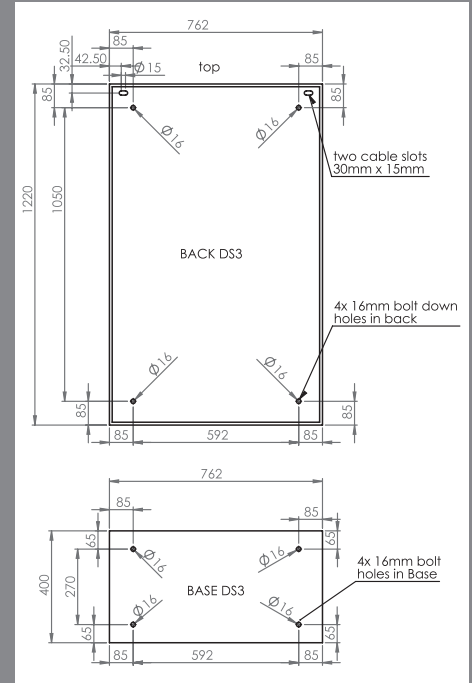
MODEL DS900



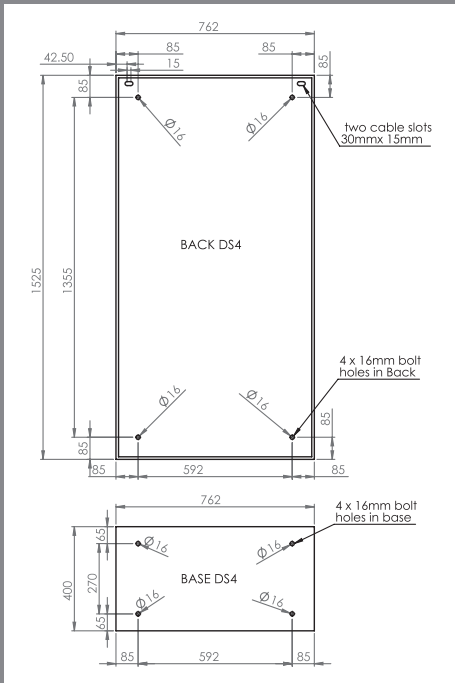
MODEL DS1



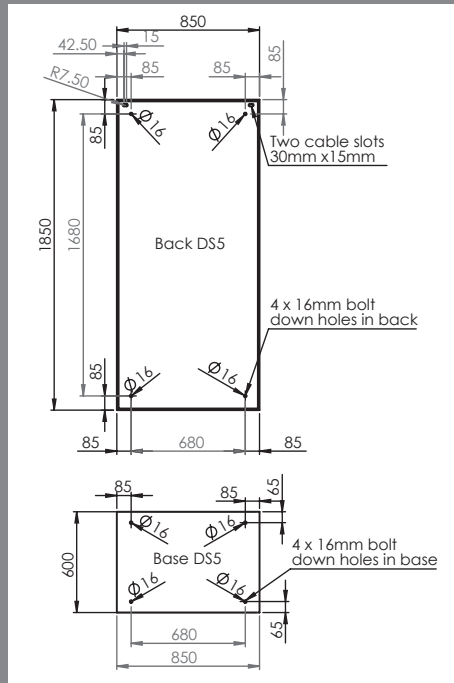
MODEL DS2



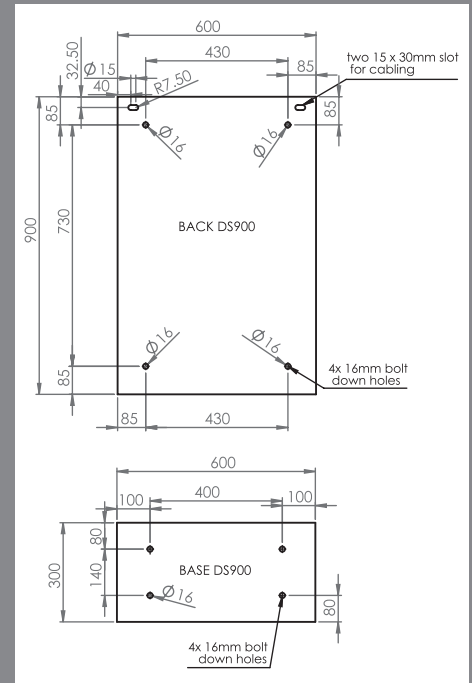
MODEL DS3



MODEL DS4



MODEL DS5



MODEL DS900



ALL CMI SAFES COME WITH A FIVE YEAR WARRANTY, EXCLUDING FREIGHT AND TRAVELLING, WITH A 24 MONTH WARRANTY ON LOCKS.



Compliance
Australian Poisons and Therapeutic Goods Regulation Act - 2008

CMI Safe Co
 ABN | 35 664 874 766

☎ 02 9547 1488
 ✉ sales@cmisafe.com.au

📍 244 West St | Carlton | NSW | 2218
 🌐 www.cmisafe.com.au

SYDNEY AUSTRALIA

CD DZ 00302 171024